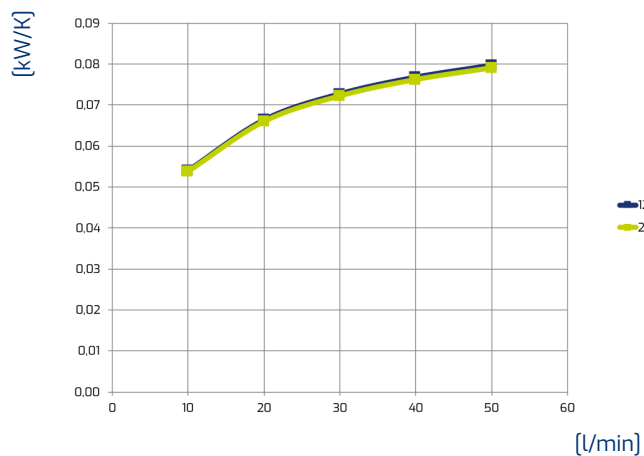


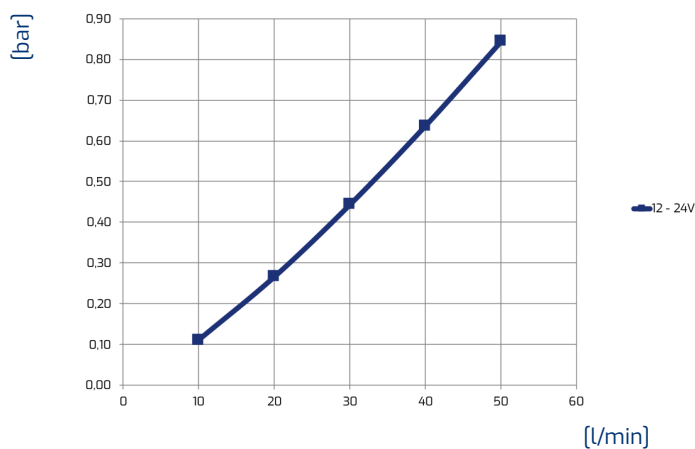
## Technical data

Item	Oil flow [l/min]	Capacity [l]	Weight [kg]	Voltage [V]	Frequency [Hz]	Current absorption [A]	Power [W]	Ø Fan [mm]	Air flow [m <sup>3</sup> /h]	Noise level [db(A)]	Rpm
<b>HY01002</b>	10-50	0,7	5	12		5,40	70	167	362	71,3	
<b>HY01004</b>	10-50	0,7	5	24		2,60	70	167	362	72,8	

## Performance



## Pressure drop

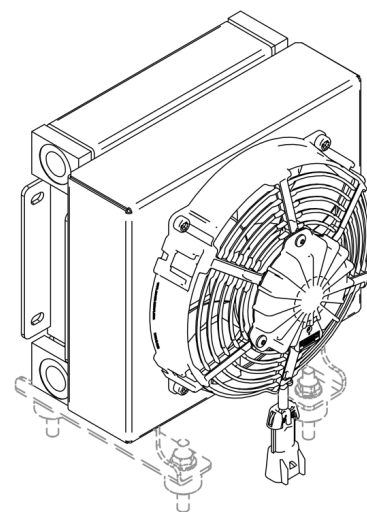
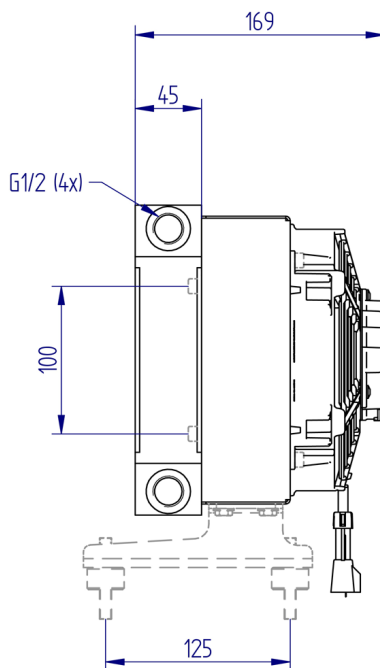
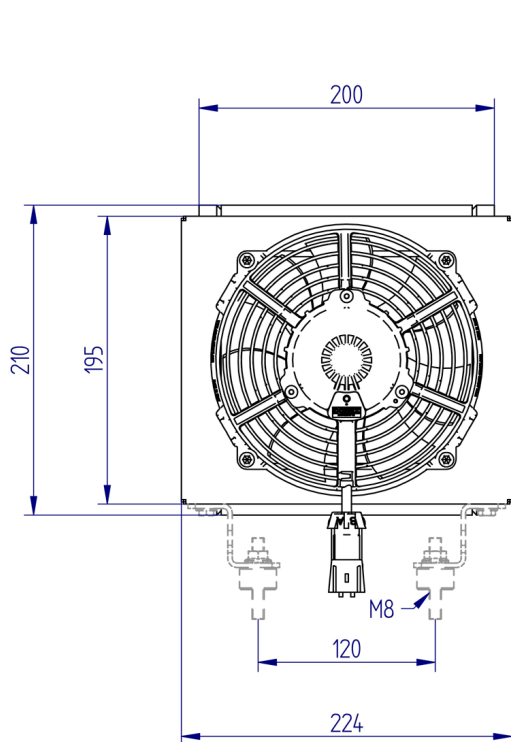


Oil T 80°C  
T Amb. 40°C  
1 kW = 860 Kcal/h - 1 HP = 0,75 kW

ISO VG 32 at 40°C

### Viscosity - ISO VG 32 Oil

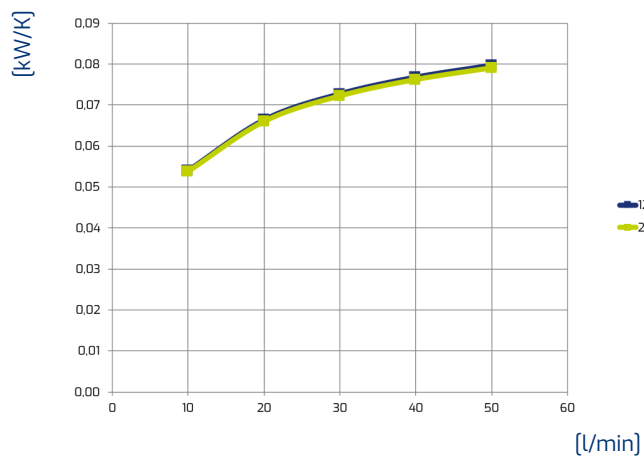
Oil	22	32	46	68	150
Correction factor	0,8	1	1,2	1,6	3



Technical data

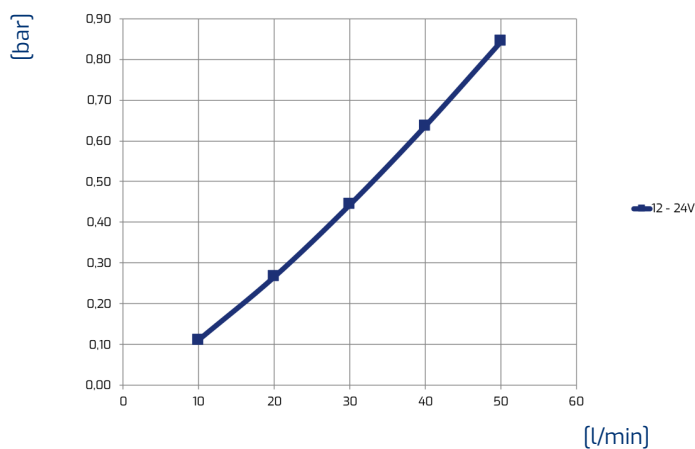
Item	Oil flow [l/min]	Capacity [l]	Weight [kg]	Voltage [V]	Frequency [Hz]	Current absorption [A]	Power [W]	Ø Fan [mm]	Air flow [m <sup>3</sup> /h]	Noise level [db(A)]	Rpm
<b>HY01002</b>	10-50	0,7	5	12		5,40	70	167	362	71,3	
<b>HY01004</b>	10-50	0,7	5	24		2,60	70	167	362	72,8	

Performance



Oil T 80°C  
T Amb. 40°C  
1 kW = 860 Kcal/h - 1 HP = 0,75 kW

Pressure drop



ISO VG 32 at 40°C

Viscosity - ISO VG 32 Oil

Oil	22	32	46	68	150
Correction factor	0,8	1	1,2	1,6	3